

SCRUBBER 75

Key Benefits

Cleans Productively

Coverage of up to 32,292 sqft/hr and unparalleled ability to clean small areas

Saves Energy

Calculates the most efficient path using advanced AI navigation systems to reduce wasted energy

Ease of Use

Minimizes human assistance with sophisticated yet simple software

Low Maintenance

Requires only two (2) hours of general monthly maintenance

People-Friendly

Releases custodians from tedious, repetitive, and injury-inducing work

Core Features

Advanced AI Navigation

- Runs the most efficient cleaning coverage
- Cleans large areas without losing its location

Powerful Vacuum and Brushes

- Removes dirt, grease, and scuff marks quickly
- Leaves no trace of water behind

State-of-the-Art Safety Features

- World-class sensors and sensor fusion algorithms
- Instant detection of moving and stationary obstacles

Real-time Reports

- Machine performance reports, accessible from anywhere
- Updates with detailed cleaning status at any time

Automatic Workstation

- Empties dirty water, refills with clean water, and charges automatically
- Resumes unfinished tasks when finished charging

Beyond Expectations

- Saves up to 70% of fresh water
- Recycles dirty water using unique 4-stage-filtration system

Labor Cost Comparison

Mop and Bucket

\$ 1.10

cents / sq ft

24" Ride on Scrubber

\$ 0.14

cents / sq ft

Scrubber 75

\$ 0.00

cents / sq ft

32" Ride on Scrubber

\$ 0.11

cents / sq ft

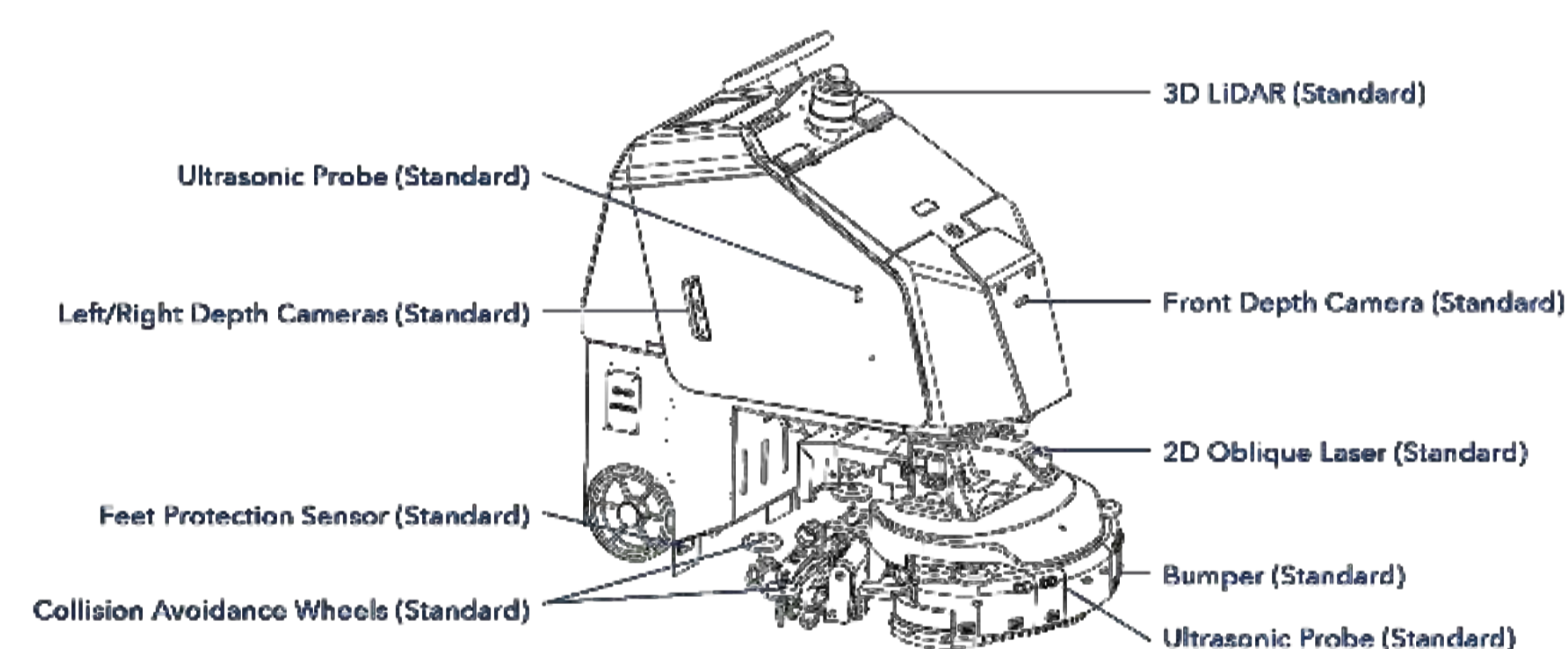


Scrubber 75

Specifications

DIMENSION	---
UNLADEN WEIGHT	992 lb
CLEANING WIDTH	30 in
MAX. CLEANING PRODUCTIVITY	32,291 sqft/hr
MAX. OUTPUT POWER	2000 W
MAX. CLIMBING DEGREE	8°
WATER SUCTION MOTOR POWER	500 W
BRUSH ROTATION SPEED	Up to 270 rpm
CLEAN WATER TANK	20 gal
WASTE WATER TANK	13 gal
MAX. BATTERY TIME	4-6 hrs

Sensor System



Applicable Scenarios



Education



Hospitality



Hospitals



Transportation



Manufacturing

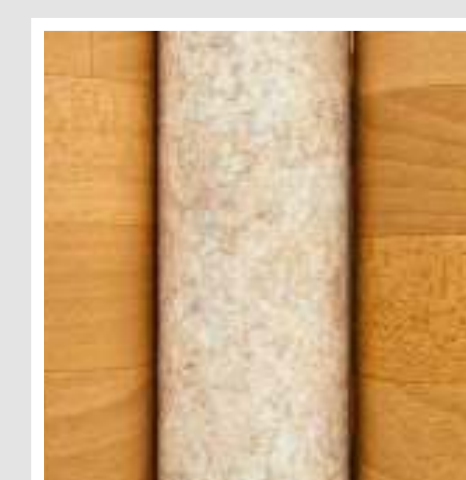


Warehouse

Flooring Types



Stone



Vinyl



Ceramic



Concrete



Epoxy

Talk to us about innovative cleaning solutions



1-800-987-0289
info@cobotiq.com
5624 Eastport Blvd Henrico, VA 23231