

Vacuum 40

Key Benefits

Cleans Productively

Coverage of up to 11,000 sqft/hr and unparalleled ability to clean small areas

Saves Energy

Calculates the most efficient path using advanced AI navigation systems to reduce wasted energy

Ease of Use

Minimizes human intervention with powerful navigation software

Low Maintenance

Requires only two (2) hours of general monthly maintenance

People-Friendly

Releases custodians from tedious, repetitive, and injury-inducing work

Core Features

Advanced AI Navigation

- Runs the most efficient cleaning coverage
- Cleans large areas without losing its location

Powerful Vacuum and Brushes

- Removes dust with one sweep
- Cleans as close as one inch to the wall

State-of-the-Art Safety Features

- World-class sensors and sensor fusion algorithms
- Instant detection of moving and stationary obstacles

Real-time Reports

- Machine performance reports, accessible from anywhere
- Updates with detailed cleaning status at any time

Automatic Charging

- Finds its way back to charging dock when the battery is low
- Continues unfinished tasks automatically once fully charged

Beyond Expectations

- Pushes exhaust air through HEPA filtration to prevent the spread of fine dust and pollen
- Keeps the environment quiet under 70dB

Labor Cost Comparison

Upright Vacuum

\$ **0.57**

cents / sq ft

Battery Backpack Vacuum

\$ **0.15**

cents / sq ft

Vacuum 40

\$ **0.00**

cents / sq ft

Ride-on Vacuum

\$ **0.08**

cents / sq ft



Vacuum 40

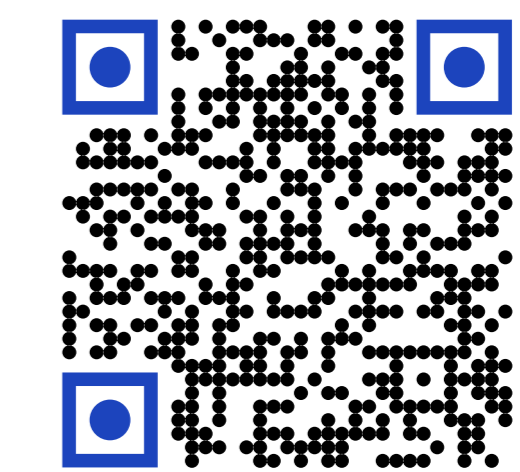
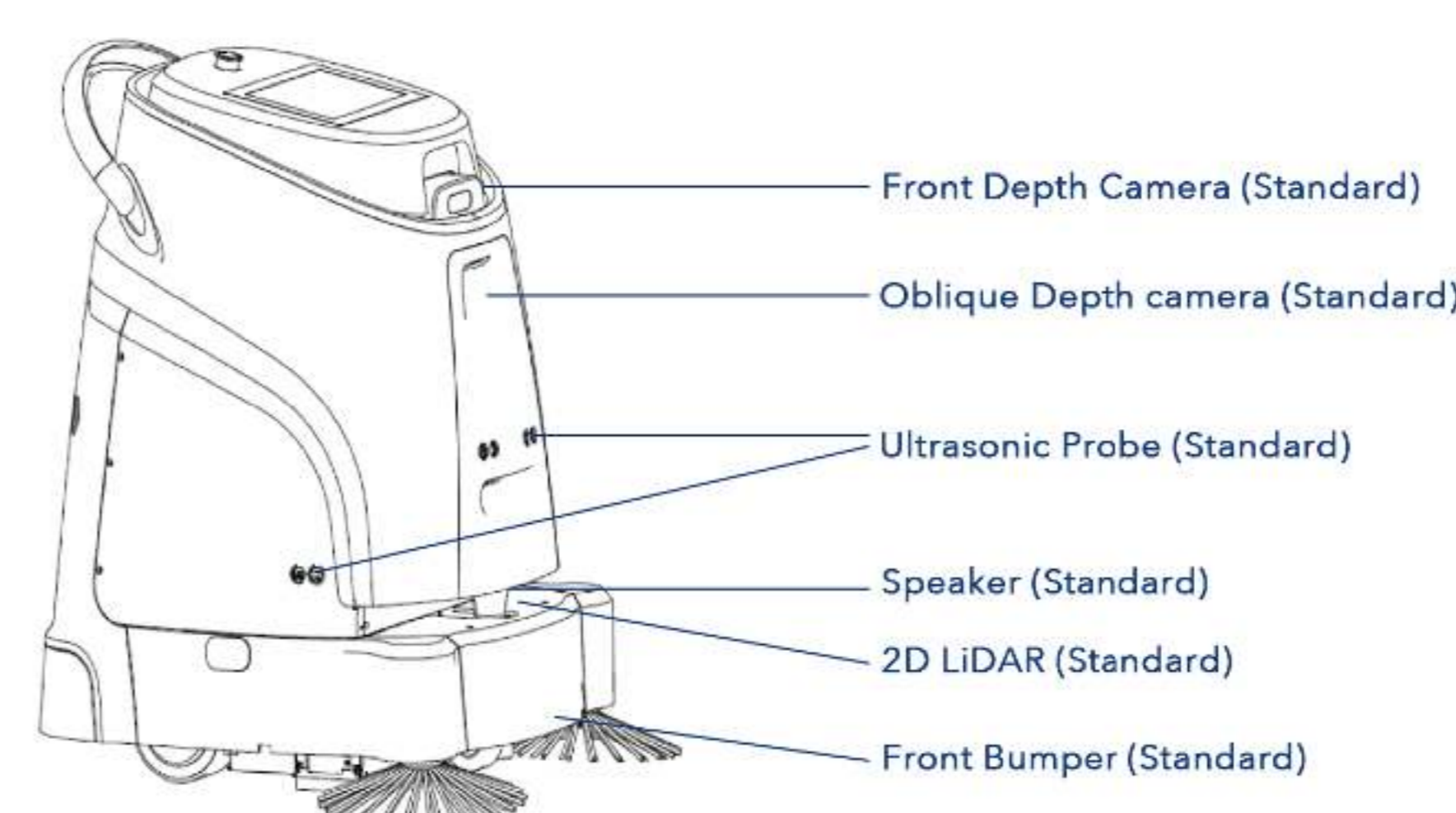


Vacuum 40 Charging Station

Specifications

Dimensions	28 in (L) x 23 in (W) x 34 in (H)
Unladen Weight	176 lb
Cleaning Width	17 in
Max. Cleaning Productivity	11,000 sqft/hr
Rated Voltage	24V
Max. Output Power	1100W
Max. Vacuum Pressure	18 kPa
Max. Climbing Degree	8°
Rated Suction Motor Power	560 W
Side Brush	7 in
Dust Mop	Compatible
Dust Bag	3.17 gal
Trash Tray	0.66 gal
Max. Battery Time	3.5 hrs

Sensor System



Applicable Scenarios



Education



Hotel



Retail

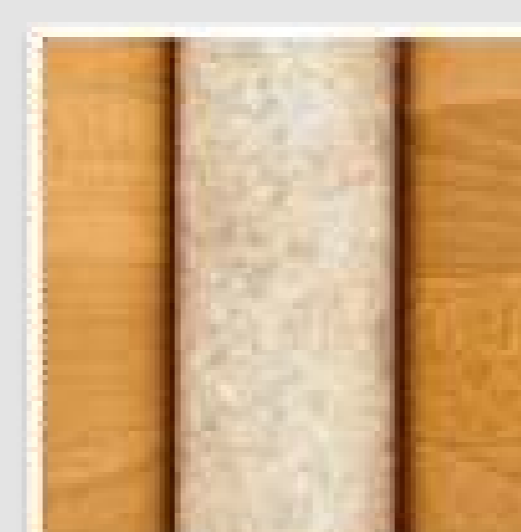


Office

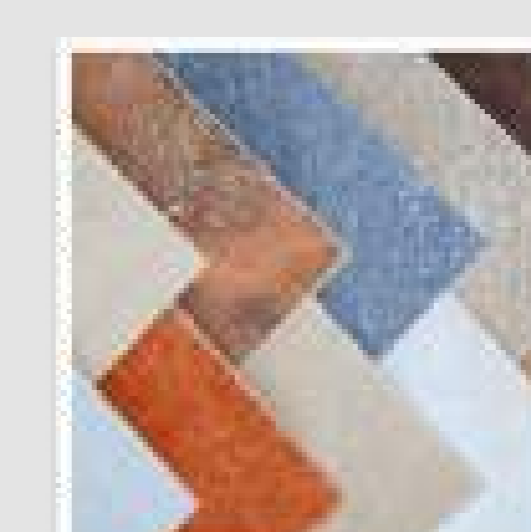
Flooring Types



Stone



Vinyl



Ceramic



Carpet